

REV.  
C

AS4328

RATIONALE

CORRECTED END 1 & 2 TO STYLE "E" IN FIGURE 1. UPDATED NOTE /4/ TO DELETE THE "PRI" STATEMENT AND CORRECT THE NADCAP SCOPE TO AC7112, AC7112/2.

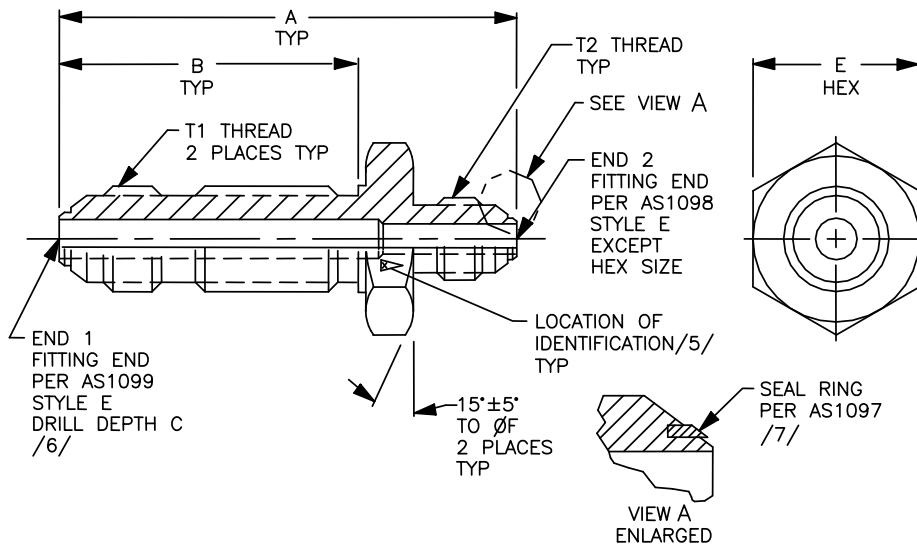


FIGURE 1 - FITTING, UNION, REDUCER, FLARED TUBE END REDUCED

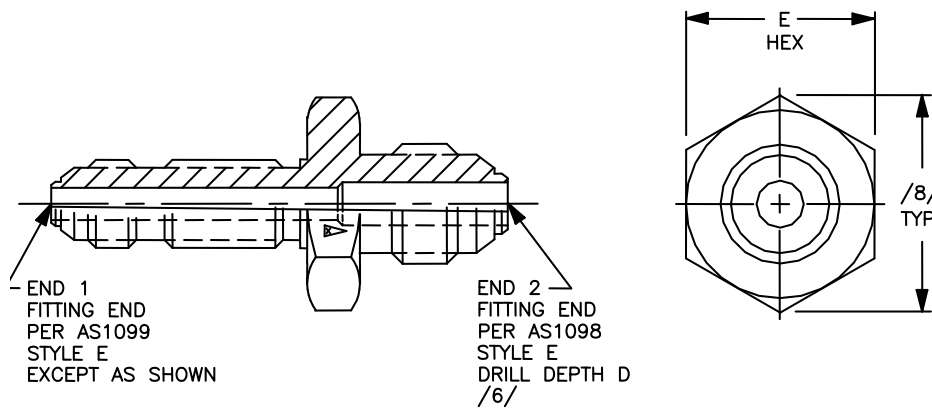
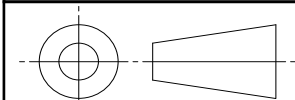


FIGURE 2 - FITTING, UNION, REDUCER, BULKHEAD END REDUCED SAME AS FIGURE 1 EXCEPT AS SHOWN

SAE values your input. To provide feedback on this Technical Report, please visit <http://www.sae.org/technical/standards/AS4328C>

THIRD ANGLE PROJECTION



CUSTODIAN: G-3/G-3B

PROCUREMENT SPECIFICATION: /4/ KSC-F-124



**AEROSPACE STANDARD**

FITTING, UNION, REDUCER, BULKHEAD, FLARED TUBE, FOR SEAL RING

AS4328  
SHEET 1 OF 4

REV.  
C

SAE Technical Standards Board Rules provide that: "This report is published by SAE to advance the state of technical and engineering sciences. The use of this report is entirely voluntary, and its applicability and suitability for any particular use, including any patent infringement arising therefrom, is the sole responsibility of the user." SAE reviews each technical report at least every five years at which time it may be revised, reaffirmed, stabilized, or cancelled. SAE invites your written comments and suggestions.

ISSUED 1993-08 REAFFIRMED 2001-12 REVISED 2015-02

**TABLE 1 - DIMENSIONS AND WEIGHTS**

BASIC NUMBER AS4328 /16/ SIZE CODE	(NOMINAL TUBE SIZE) END 1	T1 THREAD PER AS8879 CLASS 3A END 1	(NOMINAL TUBE SIZE) END 2	T2 THREAD PER AS8879 CLASS 3A END 2	A		B		C		D		E	F ±.010	LB/EA APPROX REF ALUM	LB/EA APPROX REF CRES
					+0.00 -.090	+0.00 -.045	+0.00 -.045	+0.00 -.045								
0406	.250	.4375-20UNJF	.375	.5625-18UNJF	2.147	1.208	--	.457	.802-	.815	.792	.0442	.122			
0408	.250	.4375-20UNJF	.500	.7500-16UNJF	2.225	1.208	--	.538	.990-1.003	.980	.0639	.177				
0410	.250	.4375-20UNJF	.625	.8750-14UNJF	2.350	1.208	--	.618	1.113-1.128	1.103	.0958	.266				
0412	.250	.4375-20UNJF	.750	1.0625-12UNJ	2.491	1.208	--	.703	1.363-1.380	1.353	.131	.362				
0416	.250	.4375-20UNJF	1.000	1.3125-12UNJ	2.538	1.208	--	.741	1.613-1.630	1.603	.179	.497				
0420	.250	.4375-20UNJF	1.250	1.6250-12UNJ	2.569	1.208	--	.778	1.863-1.880	1.853	.243	.674				
0604	.375	.5625-18UNJF	.250	.4375-20UNJF	2.219	1.286	.883	--	.802-	.815	.792	.0466	.129			
0608	.375	.5625-18UNJF	.500	.7500-16UNJF	2.303	1.286	--	.538	.990-1.003	.980	.0690	.191				
0610	.375	.5625-18UNJF	.625	.8750-14UNJF	2.428	1.286	--	.618	1.113-1.128	1.103	.0898	.249				
0612	.375	.5625-18UNJF	.750	1.0625-12UNJ	2.569	1.286	--	.703	1.363-1.380	1.353	.136	.376				
0804	.500	.7500-16UNJF	.250	.4375-20UNJF	2.352	1.442	1.008	--	.990-1.003	.980	.0771	.214				
0806	.500	.7500-16UNJF	.375	.5625-18UNJF	2.358	1.442	1.008	--	.990-1.003	.980	.0796	.221				
0810	.500	.7500-16UNJF	.625	.8750-14UNJF	2.584	1.442	--	.618	1.113-1.128	1.103	.110	.304				
0812	.500	.7500-16UNJF	.750	1.0625-12UNJ	2.725	1.442	--	.703	1.363-1.380	1.353	.155	.430				
0816	.500	.7500-16UNJF	1.000	1.3125-12UNJ	2.772	1.442	--	.741	1.613-1.630	1.603	.204	.565				
1004	.625	.8750-14UNJF	.250	.4375-20UNJF	2.517	1.583	1.121	--	1.113-1.128	1.103	.103	.286				
1006	.625	.8750-14UNJF	.375	.5625-18UNJF	2.523	1.583	1.121	--	1.113-1.128	1.103	.106	.293				
1008	.625	.8750-14UNJF	.500	.7500-16UNJF	2.624	1.583	1.121	--	1.113-1.128	1.103	.115	.319				
1012	.625	.8750-14UNJF	.750	1.0625-12UNJ	2.866	1.583	--	.703	1.363-1.380	1.353	.169	.469				
1016	.625	.8750-14UNJF	1.000	1.3125-12UNJ	2.913	1.583	--	.741	1.613-1.630	1.603	.218	.604				
1204	.750	1.0625-12UNJ	.250	.4375-20UNJF	2.723	1.755	1.258	--	1.363-1.380	1.353	.161	.448				
1206	.750	1.0625-12UNJ	.375	.5625-18UNJF	2.729	1.755	1.258	--	1.363-1.380	1.353	.164	.455				
1208	.750	1.0625-12UNJ	.500	.7500-16UNJF	2.830	1.755	1.258	--	1.363-1.380	1.353	.173	.481				
1210	.750	1.0625-12UNJ	.625	.8750-14UNJF	2.931	1.755	1.258	--	1.363-1.380	1.353	.182	.505				
1216	.750	1.0625-12UNJ	1.000	1.3125-12UNJ	3.084	1.755	--	.741	1.613-1.630	1.603	.247	.686				
1220	.750	1.0625-12UNJ	1.250	1.6250-12UNJ	3.115	1.755	--	.778	1.863-1.880	1.853	.312	.864				
1604	1.000	1.3125-12UNJ	.250	.4375-20UNJF	2.723	1.755	1.258	--	1.613-1.630	1.603	.212	.589				
1608	1.000	1.3125-12UNJ	.500	.7500-16UNJF	2.830	1.755	1.258	--	1.613-1.630	1.603	.244	.676				
1610	1.000	1.3125-12UNJ	.625	.8750-14UNJF	2.931	1.755	1.258	--	1.613-1.630	1.603	.233	.646				
1612	1.000	1.3125-12UNJ	.750	1.0625-12UNJ	3.037	1.755	1.258	--	1.613-1.630	1.603	.250	.692				
1620	1.000	1.3125-12UNJ	1.250	1.6250-12UNJ	3.115	1.755	--	.778	1.863-1.880	1.853	.333	.923				
1624	1.000	1.3125-12UNJ	1.500	1.8750-12UNJ	3.256	1.755	--	.878	2.109-2.135	2.099	.415	1.150				
2004	1.250	1.6250-12UNJ	.250	.4375-20UNJF	2.754	1.802	1.295	--	1.863-1.880	1.853	.299	.828				
2012	1.250	1.6250-12UNJ	.750	1.0625-12UNJ	3.068	1.802	1.295	--	1.863-1.880	1.853	.336	.931				
2016	1.250	1.6250-12UNJ	1.000	1.3125-12UNJ	3.015	1.802	1.295	--	1.863-1.880	1.853	.331	.917				
2024	1.250	1.6250-12UNJ	1.500	1.8750-12UNJ	3.303	1.802	--	.878	2.109-2.135	2.099	.470	1.300				
2416	1.500	1.8750-12UNJ	1.000	1.3125-12UNJ	3.147	1.817	1.308	--	2.109-2.135	2.099	.425	1.180				
2420	1.500	1.8750-12UNJ	1.250	1.6250-12UNJ	3.194	1.817	1.308	--	2.109-2.135	2.099	.459	1.270				
2820	1.750	2.2500-12UNJ	1.250	1.6250-12UNJ	3.379	1.973	1.433	--	2.484-2.510	2.474	.549	1.540				
2824	1.750	2.2500-12UNJ	1.500	1.8750-12UNJ	3.504	1.973	1.433	--	2.484-2.510	2.474	.584	1.640				
3224	2.000	2.5000-12UNJ	1.500	1.8750-12UNJ	3.629	2.098	1.533	--	2.734-2.760	2.724	.679	1.900				
3228	2.000	2.5000-12UNJ	1.750	2.2500-12UNJ	3.754	2.098	1.533	--	2.734-2.760	2.724	.731	2.050				